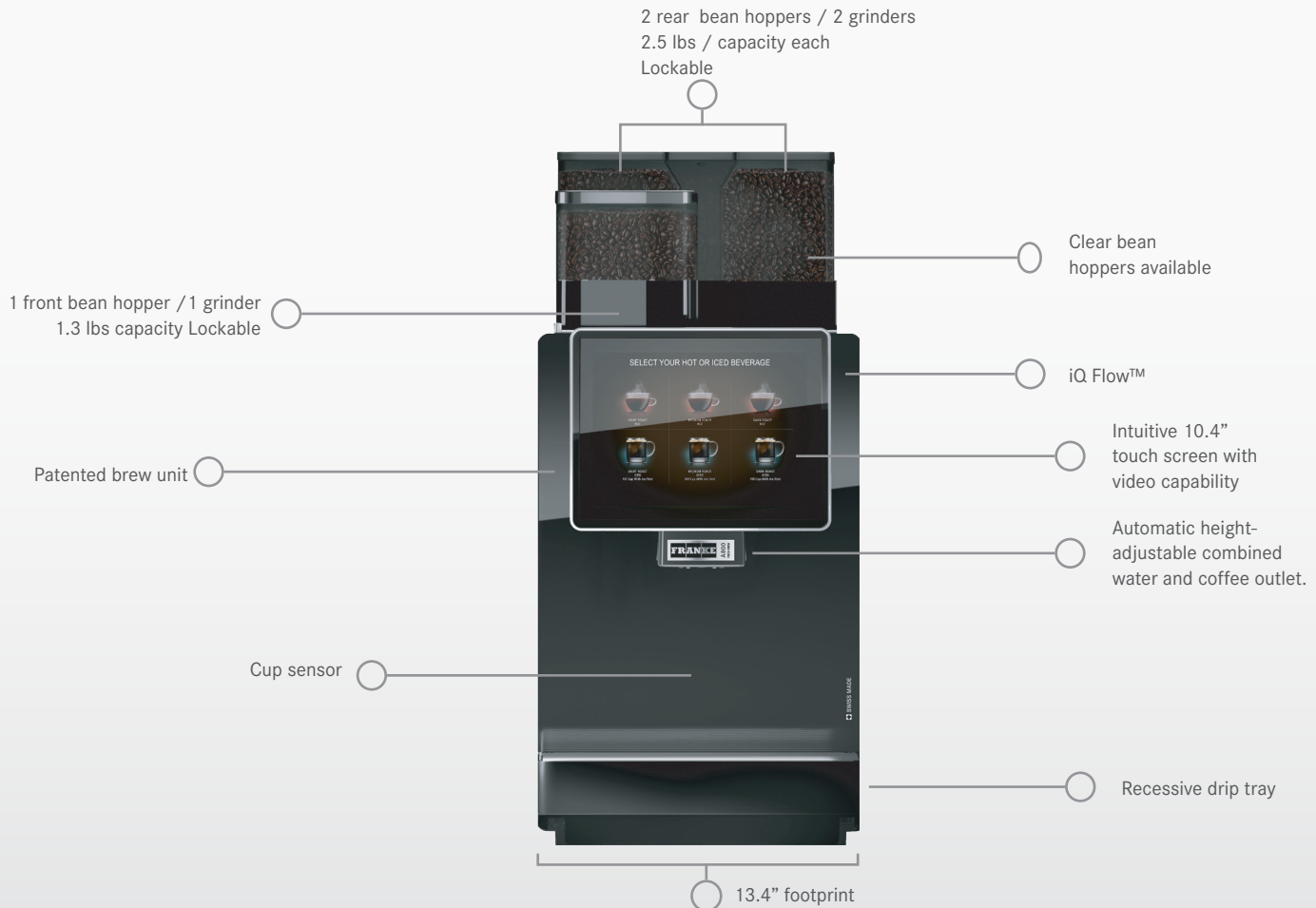


A800 FRESH BREW

Hundreds of different coffee orders, each and every one made to the same high standard is easy with the A800 Fresh Brew. The A800 Fresh Brew, bean to cup solution was designed to produce every cup of coffee brewed to order, meaning better taste, less waste. With the ability to use up to 3 different bean types and choose hot or iced, everyone gets the coffee they enjoy most.

RECOMMENDED DAILY OUTPUT

Cups per Day: Up to 250



iQFlow™

the groundbreaking technology that extracts more flavor for unrivaled in-cup-quality



EASYCLEAN

Automatic cleaning system — perfect hygiene in just a few steps



TOUCH SCREEN

10.4-inch display with incredibly simple operating concept and attractive product presentation

FRANKE

MAKE IT WONDERFUL

YOUR A800 FRESH BREW: CONFIGURED TO YOUR PREFERENCES

1 A800 FRESH BREW FEATURES

- 2 Rear Hoppers - 2.5lbs/each, lockable
- 1 Front Hopper - 1.3 lbs, lockable
- Automated height-adjustable combined water and coffee outlet
- Cup sensor
- iQFlow™

Optional Features:


- Coffee grounds chute

2 ACCOUNTING SYSTEM

- Can be used for various payment methods, Mastercard or Visa cards, Apple Pay and NFC (near field communication) payment methods



COLORS

 Black/chrome



MAKE IT WONDERFUL

Franke Kaffeemaschinen AG
cs-info.ch@franke.com

Franke Coffee Systems GmbH
cs-info.de@franke.com

Franke Coffee Systems Americas
cs-coffeesales.us@franke.com

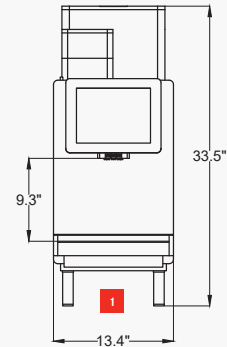
Franke Coffee Systems UK
sales@Frankecoffeesystems.co.uk

800.310.5710
coffee.franke.com

TECHNICAL DATA

MACHINE MODELS

1 A800 Fresh Brew	
Electrical Connection	208V (30 A)
Dimensions	13.4 in x 33.5 in x 23.6 in (W / H / D)
Weight (empty)	approx. 135 lbs

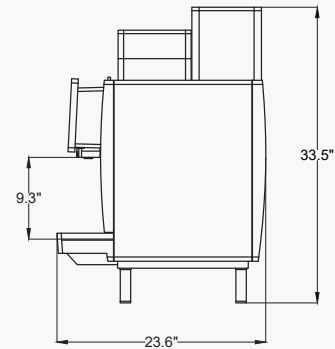


L6-30R



WATER QUALITY REQUIREMENTS

Aroma	Fresh and pure taste, with no perceptible aroma
Color	Clear
Total Hardness	70 - 140 ppm (mg/l) 4-8 gpg
Carbonate hardness	3 - 6° dH CH (carbonate hardness) 50 - 105 ppm (mg/l)
Acid content/ph value	6.5 - 7.5 pH
Chlorine content	< 0.5 mg/l
Chloride content	< 30 mg/l
TDS (Total dissolved solids)	30 - 150 ppm (mg/l)
Electrical conductivity	50 - 200 μ S/cm (microsiemens)
Iron Content	< 0.3 mg/l
Water pressure	80 - 800 kPa (0.8 - 8 bar)
Flow rate	> 0.1 l/sec
Water temperature	< 25°C



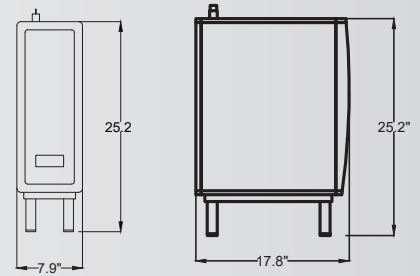
WATER CONNECTION AND DRAIN

Water connection	3/8" compression fitting, L = 59 in
Drain hose	Dia = 0.75in, L = 78.7 in

ADD-ON UNITS

2 ACCOUNTING SYSTEM

AC200	Cashless payment system
Accounting systems	120V (10 A)
Electrical connection	7.9 in / 25.2 in / 17.8 in (W / H / D)
Dimensions	approx. 50 lbs
Weight (empty)	A800 Fresh Brew
Compatible with	Black
Colors	



5-15R



ACCOUNTING SYSTEM

AC125CL	Cashless payment system
Accounting systems	120V (10 A)
Electrical connection	5 in x 6 in x 12 in (W / H / D)
Dimensions	approx. 4 lbs
Weight (empty)	A800 Fresh Brew
Compatible with	Black
Colors	



5-15R



ETL LISTED CONFORMS TO
UL STD 197 CERTIFIED TO
CSA STD C22.2
NO 109



CONFORMS TO
NSF STD 4